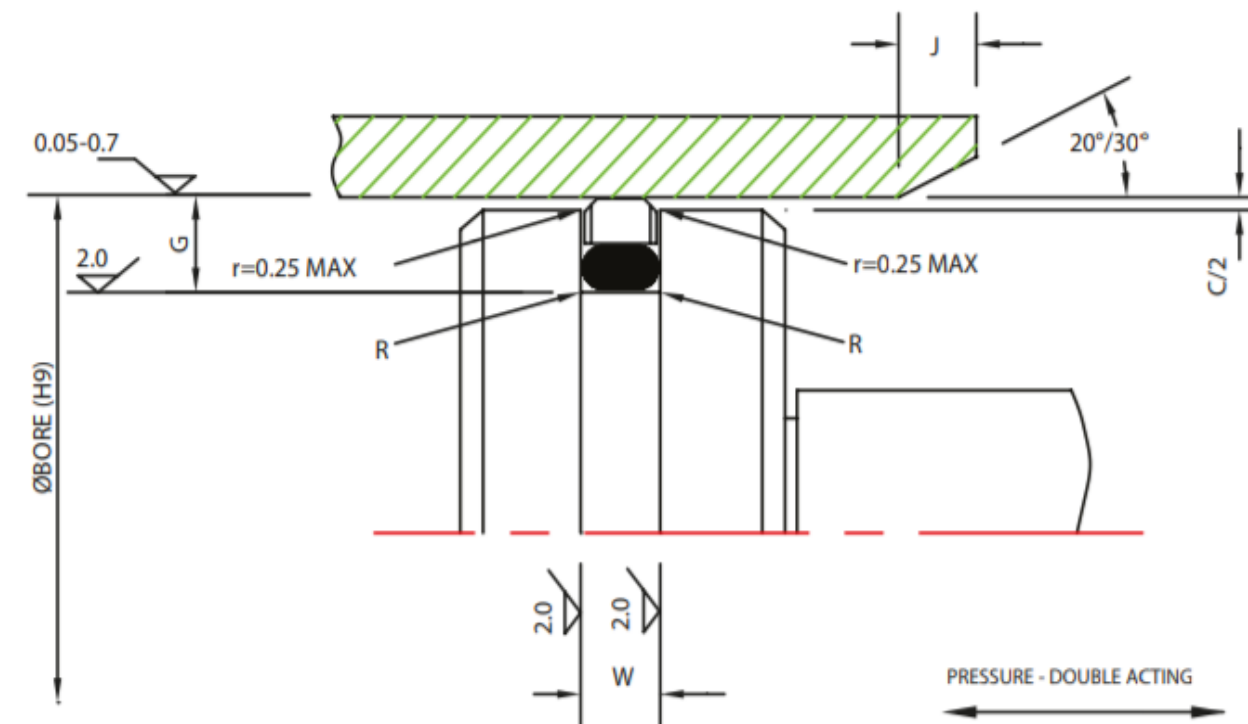


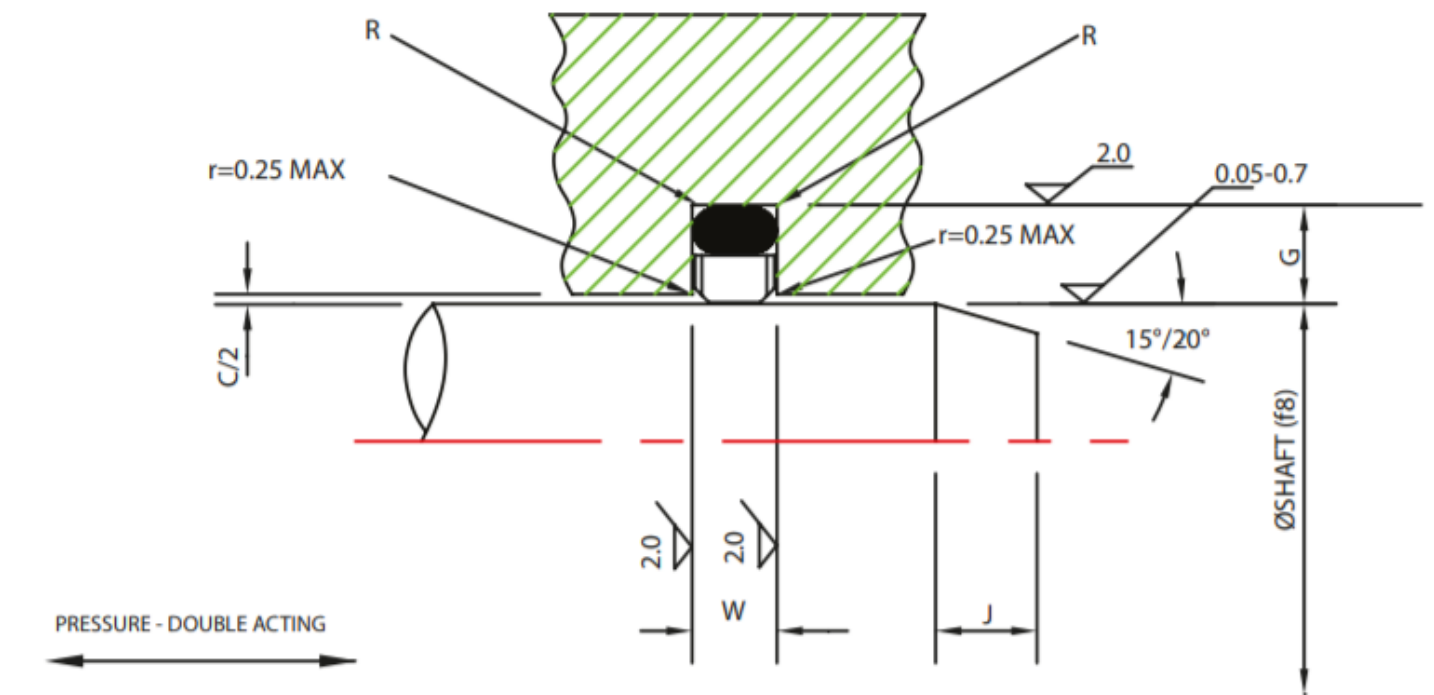


FLUOROCARBON CASE STUDY

F100B Piston Seal



F100R Rod Seal



DEVELOPING HIGH PERFORMANCE DAMPER SEALS

Find out how Fluorocarbon can help your company improve efficiency and save money at:
www.fluorocarbon.co.uk
 email: info@fluorocarbon.co.uk
 call us: +44 (0) 845 2505 100

THE CHALLENGE

Our client manufactures a high performance oil filled damper system for suspension and control systems on high performance commercial passenger transport.

The requirement was for a seal running on a hard chrome shaft with low friction properties which gave fast reaction times to movement inputs adding to passenger comfort and reduced wear.

The system needed to offer long life, keeping service running costs minimal whilst maintaining the integral qualities of the damping unit.

THE SOLUTION

Fluorocarbon's Fluorinoid FL148 was the sealing material used.

This engineered material combines the low friction properties of PTFE with the lubrication qualities of the embedded fillers.

The filler material enhances the seal life and the polymer is carefully matched to work effectively in this arduous application.

THE OUTCOME

The suspension system was designed by our client to cover in excess of 2.5M Km so long life whilst maintaining performance were critical requirements. FL148 met this design brief completely.

Fluorinoid FL148 is a high performance sealing and bearing material ideal for a wide range of hydraulic applications, offering excellent performance through its enhanced resistance to wear and creep.